

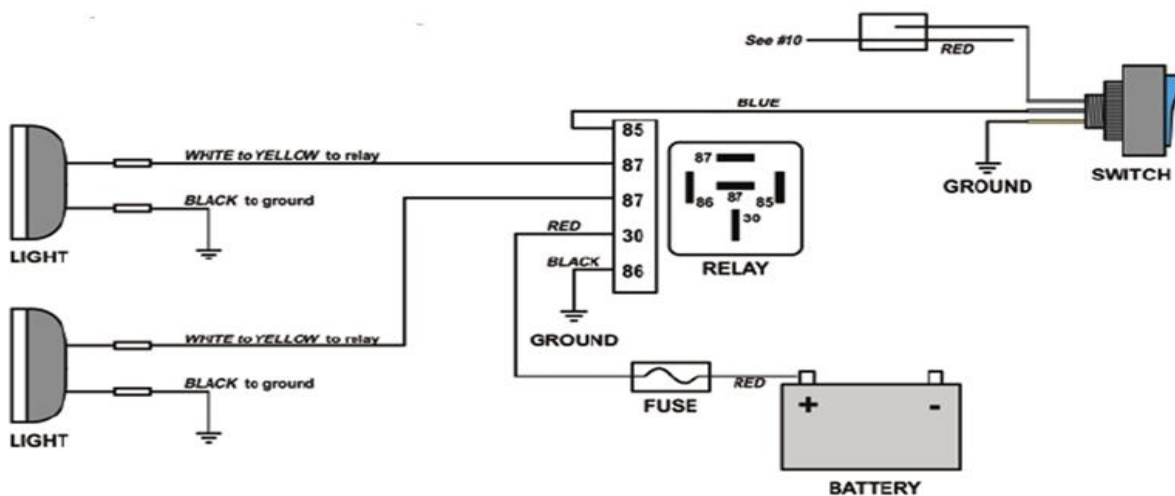


DELTA FASCIA XENON DRIVING and FOG LIGHT KIT FOR FORD F-150 2009-2012 P/N# 01-9529-50X / 01-9539-50X

INSTALLATION INSTRUCTION

Disconnect battery before beginning installation

1. Mount the light buckets to the bumper. Be certain that the wiring harness at the back of the light is unobstructed.
2. Relay wiring; red fused wire to terminal #30, black wire to the #86, both yellow wires to terminals #87, blue wire to #85.
3. Install the relay in close proximity to the battery so the red fused wire can reach the battery's positive post.
4. Connect the yellow wires to the white wires on the lights using the supplied spade terminal.
5. Using the supplied black wires, ground the black light wires to any clean, unpainted, metal surface using a sheet metal screw (not included).
6. Ground the relay by attaching the short black wire lead to any clean, unpainted, metal surface using a sheet metal screw (not included).
7. Locate a convenient location to install the switch. Ensure the location has adequate clearance for the wires. Drill a $\frac{3}{4}$ " hole and install switch.
8. Following the factory harness, feed the blue wire through the firewall into the passenger compartment.
9. Connect blue wire to the center terminal on the switch.
10. Connect one of the supplied black wires to the gold "Ground" terminal on the switch and attached the other end to a clean, unpainted, metal surface.
11. Connect the red wire to the remaining terminal on the switch. Using a test light or volt meter, locate a key operated 12 volt source. Using the supplied quick splice connector attach the red wire to this wire.
12. Connect the red fused wire directly to the positive battery terminal post.
13. Reconnect battery.
14. Test, Aim, and Tighten Lights.



DELTA TECH INDUSTRIES, LLC - Ontario, CA 91761, U.S.A.

Web: www.deltalights.com E-mail: tech@deltalights.com